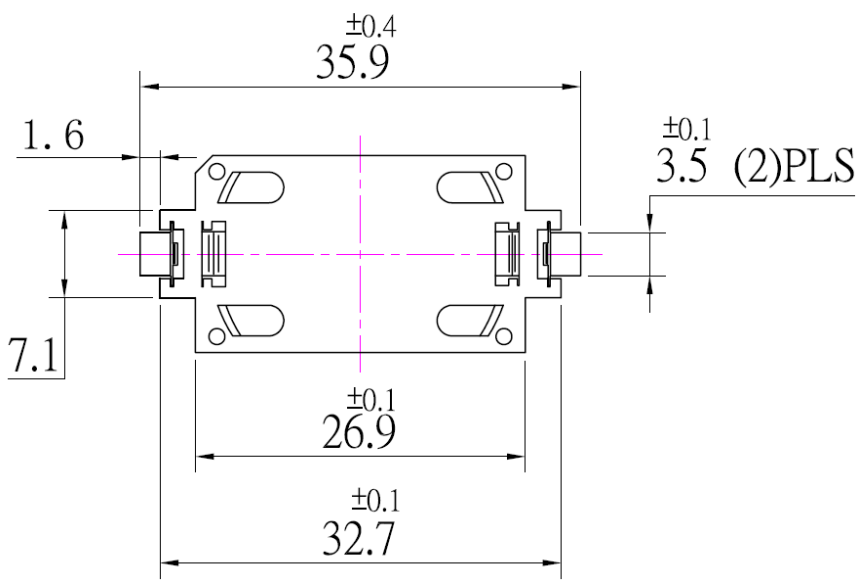
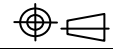


SECTION A-A



NOTES:

- 1、 BASE:
MAT'L: GLASS FILED LCP UL 94V-0
- 2、 CONTACTS:
MAT'L: 0.15mm TH'K PHOSPHOR BRONZE
FINISH: GOLD FLASH, OVER NICKEL PLATE

PART NAME : BATTERY HOLDER		SCALE :
PART NO : CR-2450-2 SMT		UNIT : mm
TOLERANCE : ± mm		VER : R01